

# ADJUSTABLE VERTICAL BACK-TO-BACK CLOSET CARRIER - 750-LB. LOAD

## 837 SERIES

### SPECIFICATION

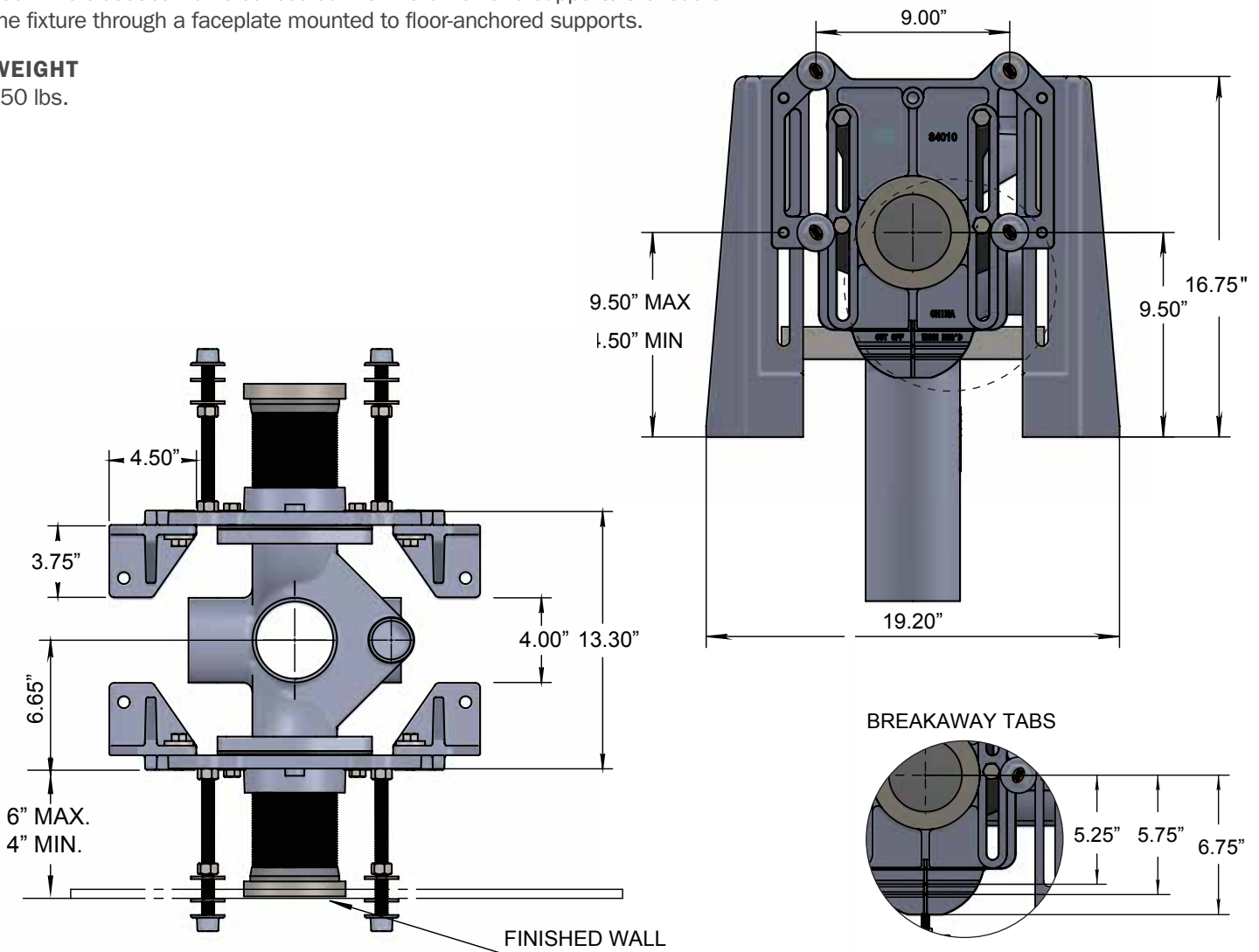
Sioux Chief 837 Series adjustable, vertical back-to-back water closet carrier with 4" No-Hub connections and optional side inlets, rated for 750 lb. maximum static load. Includes coated cast iron right-hand or left-hand main fitting with 2" vent, adjustable faceplates with o-rings, floor mounted supports, adjustable ABS couplings with integral test cap, fixture bolts, trim, stud protectors, and neoprene fixture gasket. Designed in accordance with ASME A112.6.1M

Used with wall-mounted closet fixtures having no contact with the finished floor. The closet carrier is concealed within the wall and supports the load of the fixture through a faceplate mounted to floor-anchored supports.

### WEIGHT

150 lbs.

ITEM # SUBMITTED	_____
JOB NAME	_____
LOCATION	_____
ENGINEER	_____
CONTRACTOR	_____
PO#	_____ TAG _____



Create Item Number

## 837-A

e.g. **837-VX21**: Adjustable vertical 750-lb. back-to-back water closet carrier with one-side-inlet fitting

### SIDE INLET A

**VX20** = No side inlets

**VX22** = Two side inlets

**VX21** = One side inlet

### OPTIONS B

**T** = 12" ABS threaded coupling

(6" threaded coupling is standard)